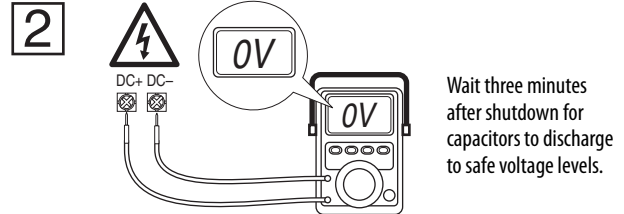
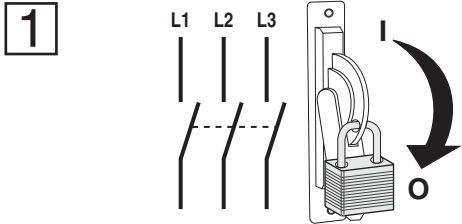
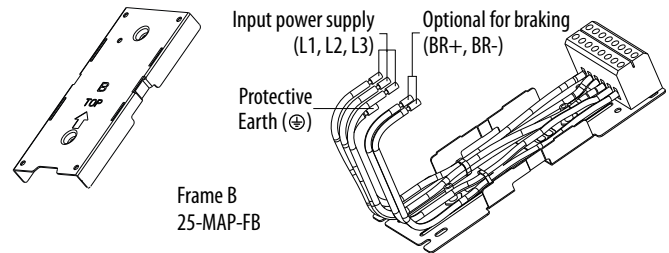
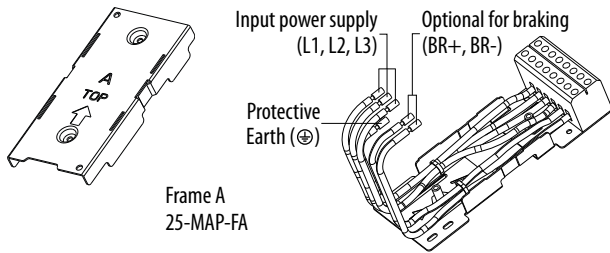




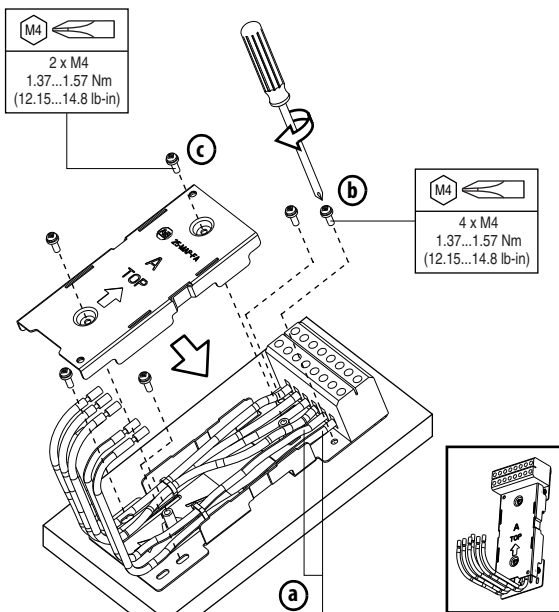
# Bulletin 160 to PowerFlex 520-Series Adapter Plate Installation

Catalog Numbers: 25-MAP-FA, 25-MAP-FB

Series B design includes two additional wires for dynamic brake resistor connection (BR+, BR-).

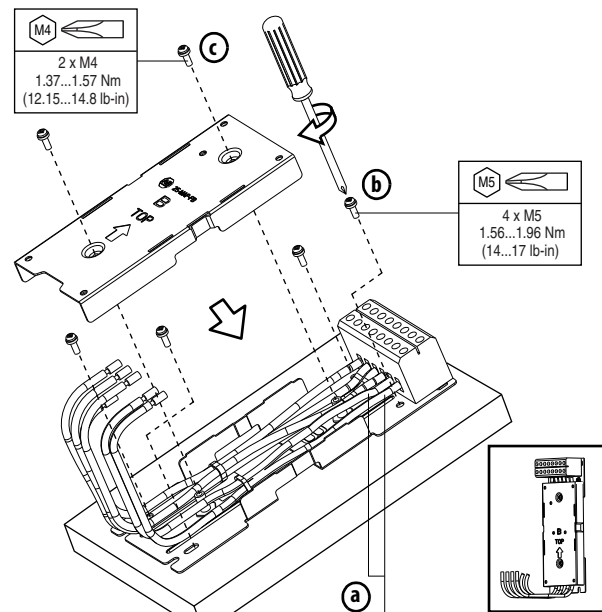


**3** Assemble the 25-MAP-FA Adapter Plate



If no brake resistor is connected, detach the BR+ and BR- wires from the terminal block.

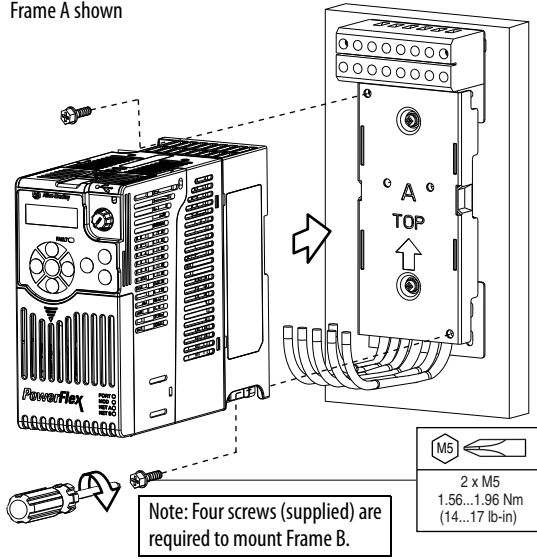
Assemble the 25-MAP-FB Adapter Plate



If no brake resistor is connected, detach the BR+ and BR- wires from the terminal block.

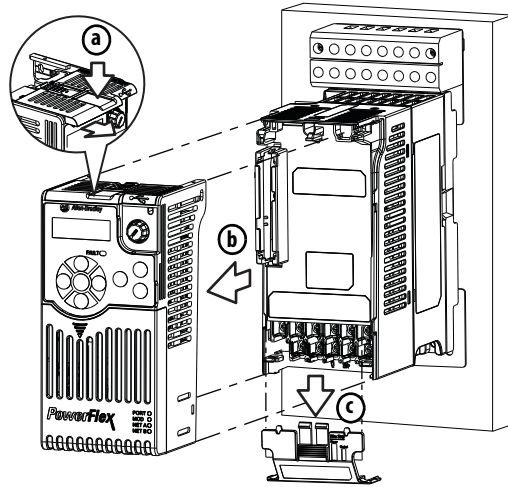
**4** Install the PowerFlex 520-Series Drive

Frame A shown



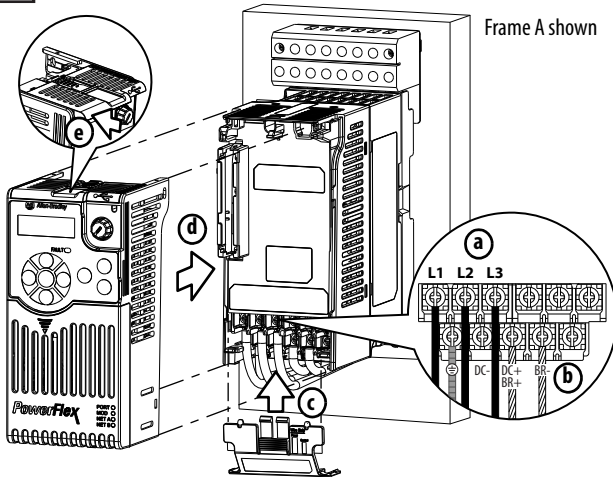
**5** Separate the Control Module and Power Module

Frame A shown



**6** Wire the Adapter Plate to the Power Module

Frame A shown

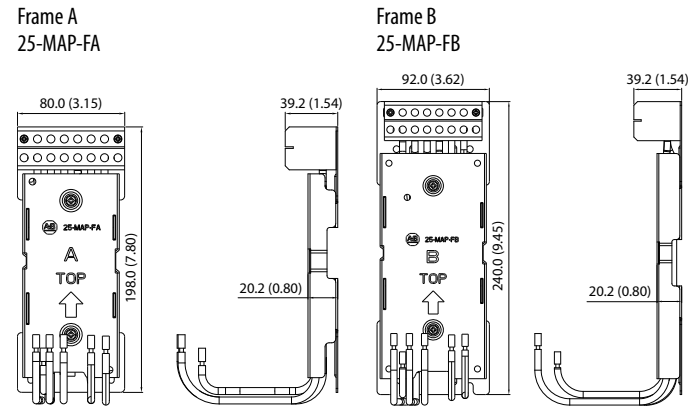


Powerflex 520-Series Power Module Terminal Block Wiring

Frame	Wire Rating Min...Max	Torque
A	0.8...5.3 mm <sup>2</sup> (18...10 AWG)	1.76...2.16 Nm (15.6...19.1 lb-in)
B	2.1...8.4 mm <sup>2</sup> (14...8 AWG)	1.76...2.16 Nm (15.6...19.1 lb-in)

**Dimensions**

All measurements are in mm (in.)



Bulletin 160 to PowerFlex 520-Series Adapter Plate Terminal Block Wiring

Catalog No.	Frame	Wire Rating Min...Max	Torque
25-MAP-FA	A	0.32...8.4 mm <sup>2</sup> (22...8 AWG)	1.59...1.94 Nm (14.1...17.2 lb-in)
25-MAP-FB	B		

U.S. Allen-Bradley Drives Technical Support - Tel: (1) 262.512.8176, Fax: (1) 262.512.2222, E-mail: support@drives.ra.rockwell.com  
 Online: <http://www.ab.com/support/abdrives>

Allen-Bradley, Rockwell Software, Rockwell Automation, Powerflex and TechConnect are trademarks of Rockwell Automation, Inc.  
 Trademarks not belonging to Rockwell Automation are property of their respective companies.

[www.rockwellautomation.com](http://www.rockwellautomation.com)

**Power, Control and Information Solutions Headquarters**

Americas: Rockwell Automation, 1201 South Second Street, Milwaukee, WI 53204-2496 USA, Tel: (1) 414.382.2000, Fax: (1) 414.382.4444  
 Europe/Middle East/Africa: Rockwell Automation NV, Pegasus Park, De Kleetlaan 12a, 1831 Diegem, Belgium, Tel: (32) 2 663 0600, Fax: (32) 2 663 0640  
 Asia Pacific: Rockwell Automation, Level 14, Core F, Cyberport 3, 100 Cyberport Road, Hong Kong, Tel: (852) 2887 4788, Fax: (852) 2508 1846

Publication 520-IN001C-EN-P - November 2013  
 Supersedes Publication 520-IN001B-EN-P - September 2013